



Filters

Communication - LTC 455/450 Ceramic Filters / 陶瓷滤波器

LTC455/450 U/W Filter for IF (Compatible to Murata CFUCG series) comprises small, high performance, thin (4.0mm) consisting of 4 ceramic elements. Their innovative construction is perfect for shrinking mobile communication products such as pocket pagers and cellular phones.

► Features

1. Mountable by automatic placers.
2. Can be reflow soldered and withstand washing.
3. They are slim, at only 4.0mm max. thickness, and have a small mounting area enabling flexible PCB design.
4. The bandwidth ranges from D to G.
5. Operating temperature range: -20 to +80 (°C)
Storage temperature range: -40 to +85 (°C)

► LTC 455/450 U/W Series (Compatible to Murata CFUCG series)

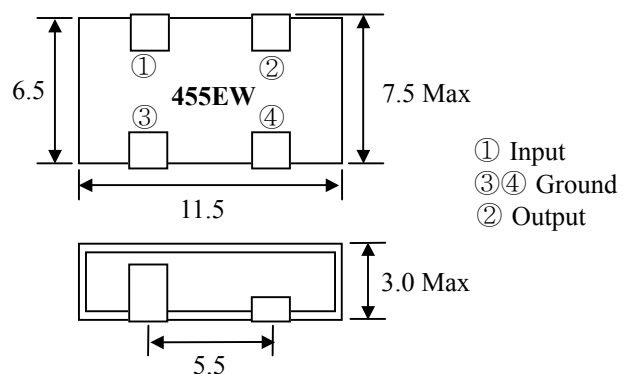
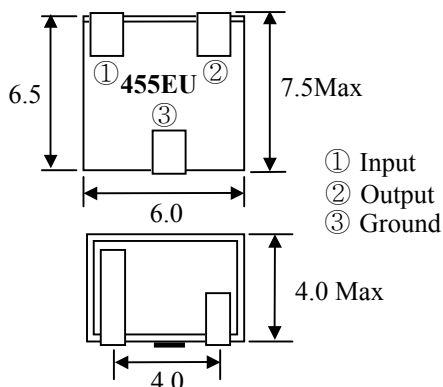
455 kHz / 450 kHz

Ceramic LTC 455/450 U/W Filters Technical Characteristics

Part Number		Center Frequency (fo)(kHz)	Insertion Loss (dB) max		Pass Band Ripple (dB) max	6dB Band Width (kHz) min	40dB Band Width (kHz) min LTC455U	50dB Band Width (kHz) min LTC455W	Spurious Attenuation fo±100kHz (dB) min		Input / Output Impedance (Ω)
			LTC 455U	LTC 455W					LTC 455U	LTC 455W	
LTC 455BU	LTC 455BW	455±1.5	4	4	2	±15.0	±30	±30	27	50	1000
LTC 455CU	LTC 455CW	455±1.5	4	4	2	±12.5	±25	±25	27	50	1000
LTC 455DU	LTC 455DW	455±1.5	4	4	2	±10.0	±20	±20	27	50	1500
LTC 455EU	LTC 455EW	455±1.5	6	4	2	±7.5	±15	±15	27	50	1500
LTC 455FU	LTC 455FW	455±1.5	6	6	2	±6.0	±12	±12	27	47	1500
LTC 455GU	LTC 455GW	455±1.5	6	6	2	±4.5	±10	±10	25	47	1500
LTC 455HU	LTC 455HW	455±1.5	6	6	2	±3.0	±9.0	±9.0	25	47	1500
LTC 455IU	LTC 455IW	455±1.5	6	6	2	±2.0	±7.5	±7.5	25	47	1500

• Center frequency 450kHz is also available.

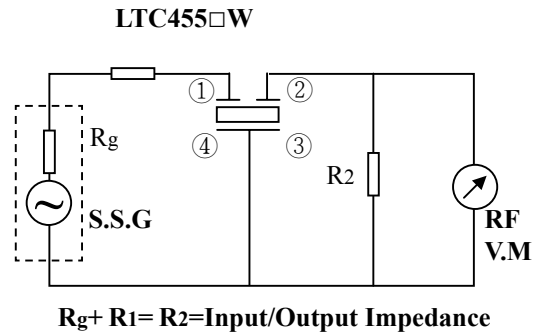
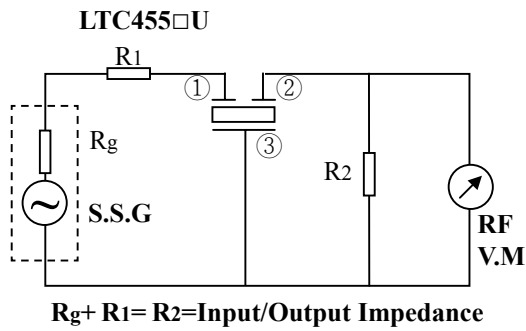
► Ceramic LTC 455/450 U/W Filters Dimensions



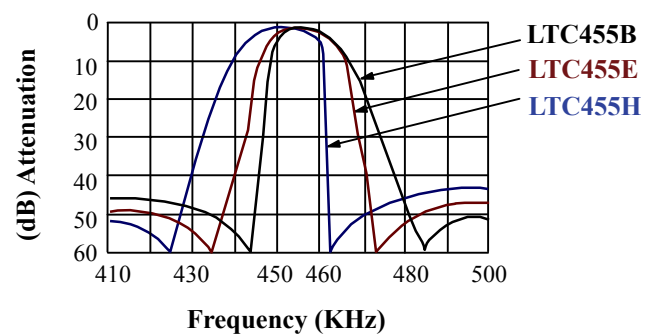
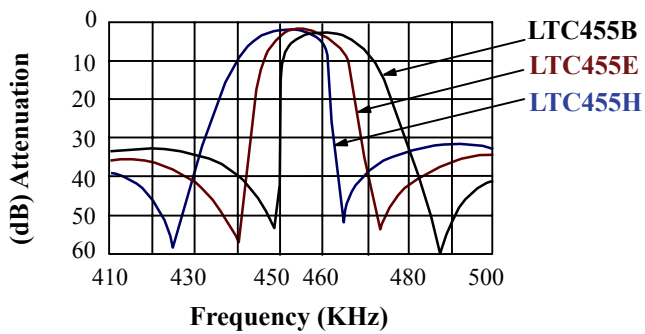


Filters

▶ LTC 455/450 U/W Filter Test Circuit



▶ Ceramic LTC 455/450 U/W Filter Characteristics



▶ How to Order

LTC455BU - **T**

① ②

① Part Number

② Packaging (T:Taping Reel)