



Filters

LTP for AM Ceramic Filter / 陶瓷滤波器

LTP Series Filter are designed to address the needs of standard AM filtering requirements. These filters are recommended for use in low cost products where economically, efficient designs are critical.

▶ LTP for AM (Murata SFU450/455kHz Compatible)

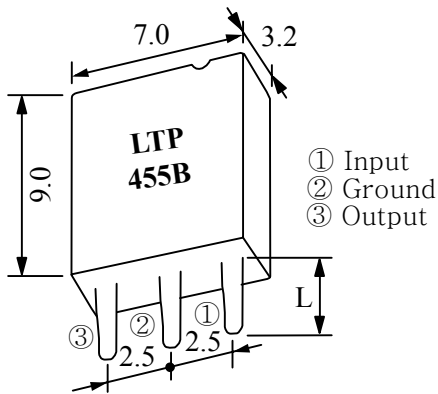
450kHz ~ 470kHz

Ceramic LTP Filters Technical Characteristics

Part Number	3dB Band Width (kHz)	Center Frequency (fo) (kHz)	Selectivity(dB)min		Insert Loss (dB) max	Composition	Lead Length L (mm)	
			-9kHz off	+9kHz off			L1	L2
LTP455A	9.5±3	455±2	5.0	3.0	5.0	one element	3.6	5.0
LTP455B	9.5±3	462±2	5.0	3.0	5.0	one element with IFT		
LTP450BY	7±2	455±2	6.0	5.0	5.0			
LTP450BY1	4.5±1.5	452.5±2	9.0	8.0	5.0			

● Center Frequency (fo) is available in a range of 450~470kHz.
The nominal frequency tolerance is ±2kHz.

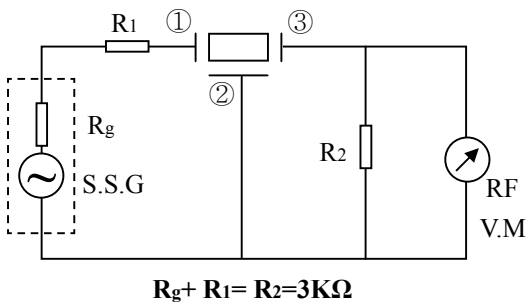
▶ LTP Filter Dimensions



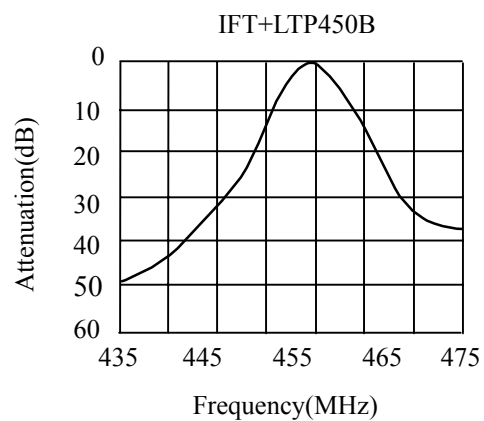
Recommended IFT (7mm Square)

Item	LTP 455B		
Winding Specification	①~②	②~③	④~⑥
① ② ③ ④ ⑤ ⑥ Form bottom	70T	115T	7T
unloaded Qu	105		
Tuning Capacity	108PF		

▶ LTP Filter Test Circuit



LTP Filter Characteristics



▶ How to Order



- ① Part Number
- ② Packaging