



Filters

LT Miniature for AM Ceramic Filters / 小型滤波器

LT Miniature for AM Filter is one of the most recommendable intermediate type, having such distinctive features as high selectivity, high stability and adjustment-free operation. Additionally its easy matching with IC helps create an easy circuit design such as applications in Electric synthesized tuners, HiFi audio systems, AM stereo demodulations, One-chip non-adjustment IC's, and even smaller, thinner set structure to cope with these diversifying for AM receiver. Features with center frequency between 450 and 470 kHz, standard tolerance ± 2 kHz, and synthesizers for the types of center frequencies 450, 459 and 468 kHz. Standard tolerance is ± 1 kHz.

▶ LT MINIATURE (Murata PFB Series Compatible)

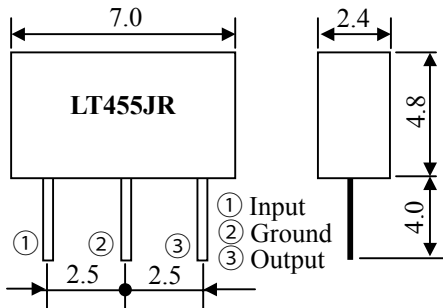
450 kHz ~ 470 kHz

Miniature LT Filter Technical Characteristics

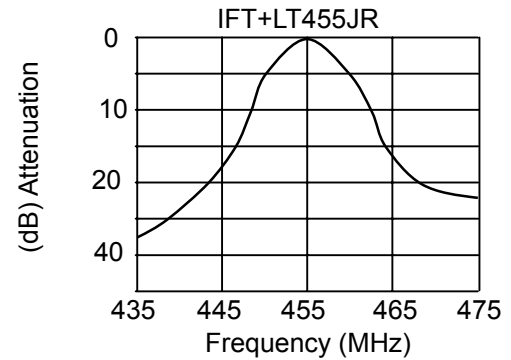
Part Number	3dB Band Width (kHz)	Selectivity ± 9 kHz off (dB)	Insertion Loss (dB)	Composition
LT 455JR	5.5 ± 1.5	≥ 17	≤ 6	2 elements

- Center Frequency (f_0) is available in a range of 450 ~ 470kHz.
The nominal frequency tolerance is ± 2 kHz.

▶ Miniature Filters Dimensions



▶ Miniature LT Filters Characteristics



▶ Recommended IFT (7mm Square)

Item	7×7mm			5×5mm		
	①~②	②~③	④~⑥	①~②	②~③	④~⑥
Winding Specification						
	85T	67T	23T	84T	98T	33T
Form bottom unloaded Q_u	90			65		
Tuning Capacity	180PF			180PF		

▶ How to Order



- ① Part Number
- ② Packaging