



## Ceramic Crystal Resonator

- **Ceramic Surface Mount Crystal Resonator / 片式高频陶瓷石英晶体**
- **TA7C/6C/5C/4C Series ----- 1**

Notice: Specification Changed or Version Updated will be posted at irregular intervals.  
All Updated and Final Specifications, Please Confirm with TOKEN ELECTRONICS  
REPRESENTATIVES.



<http://www.token.com.tw>



[rfq@tokenonline.net](mailto:rfq@tokenonline.net)

**Taiwan:** No. 137, Sec. 1, Chung Shin Rd., Wu Ku Hsiang, Taipei Hsien, Taiwan, R.O.C  
TEL: 886-2-2981 0109; FAX: 886-2-2988 7487

**China:** 12F, Zhongxing Industry Bld., Chuangye Rd., Nanshan District, Shenzhen, Guangdong  
TEL: 86-755-2605 5363, 2605 5364; FAX: 86-755-2605 5365



# Ceramic Crystal Resonators

## Ceramic Surface Mount Crystal Resonator - TA7C/6C/5C/4C Series

Token Electronics offers two series Chip Ceramic Crystal Resonators in terms of TA\*C series and TA\*CA series. The TA\*C series incorporates a sub-miniature AT-cut strip crystal resonator housed in a miniature 4.0×2.5×1.2mm ceramic package, while the TA\*CA series incorporates a sub-miniature AT-cut strip crystal resonator housed in a miniature 2-pad 4.0×2.5mm ceramic package with 2 pads. Both compact crystals chip components of TA\*C series and TA\*CA series are ideal for surface mount, densely-populated PCB applications.

### ► Crystal Resonator TA\*C/TA\*CA Features

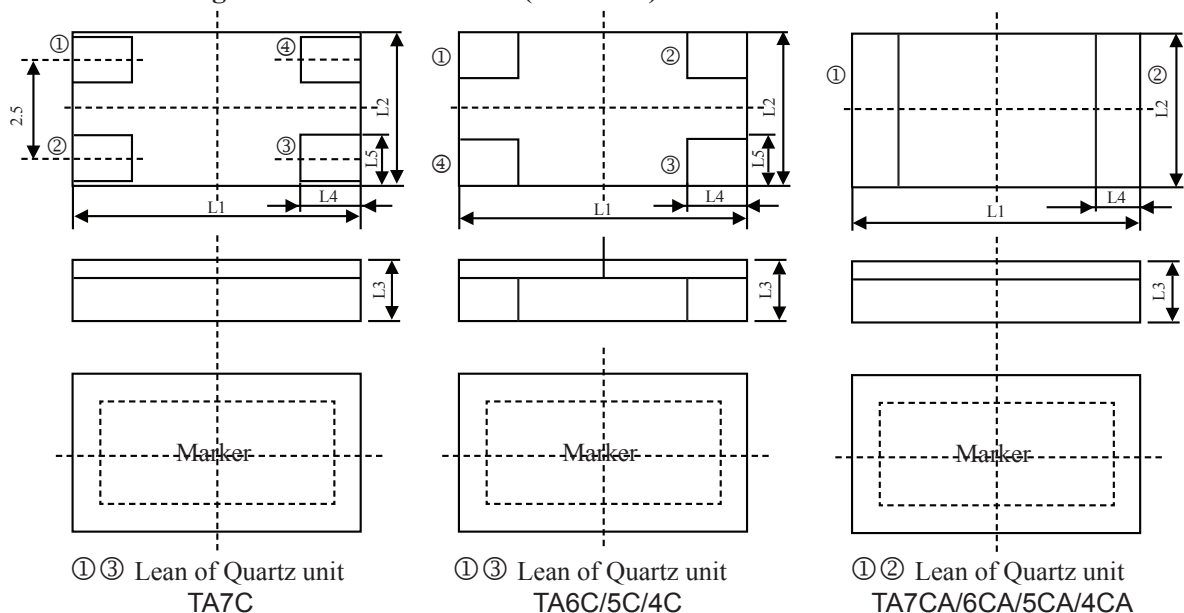
- Seam welded ceramic package
- 1.2mm max. low profile
- Tight stability / High reliability
- Wide frequency range / High frequency
- Tape and Reel packing method
- Rugged AT-cut crystal construction
- Ultra miniature for maximum spacing saving
- Ideally suit for disc driver, PCMCIA, PC'S and hand-held products
- Tight specifications available
- RoHS Compliant



TA\*C/TA\*CA Series Technical Characteristics

Part Number	Frequency Range (MHz)	Resonance Resistance (Ω) Max	Fundamental / Overtone	Adjustment Tolerance × 10 <sup>-6</sup>	Temp. Range Tolerance Over × 10 <sup>-6</sup>
TA4C TA4CA	12.000 ~ 19.999	80	Fund.	30	50
	20.000 ~ 25.999	70			
	26.000 ~ 36.000	50			
TA5C TA5CA	10.000 ~ 11.999	120			
	12.000 ~ 14.399	80			
	14.400 ~ 36.000	50			
TA6C TA6CA	8.000 ~ 11.999	80			
	12.000 ~ 16.000	60			
	16.001 ~ 40.000	40			
TA7C TA7CA	7.600 ~ 11.999	80			
	12.000 ~ 16.000	60			
	16.001 ~ 35.000	40			

### ► TA\*C/TA\*CA Configurations & Dimensions (unit: mm)



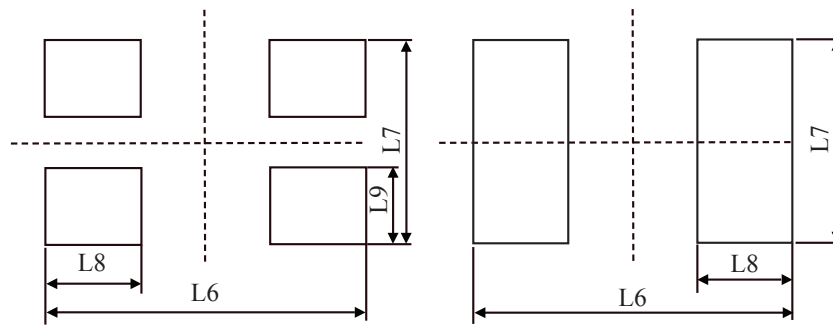


# Ceramic Crystal Resonators

Part Number	Dimensions (unit: mm)								
	L1	L2	L3	L4	L5	L6	L7	L8	L9
TA4C TA4CA	4.0±0.3	2.5±0.3	1.2±0.2	1.2±0.2	0.9±0.2	4.2±0.2	2.7±0.2	1.4±0.2	1.1±0.2
TA5C TA5CA	5.0±0.3	3.2±0.3	1.2±0.2	1.4±0.2	1.0±0.2	5.2±0.2	3.4±0.2	1.6±0.2	1.2±0.2
TA6C TA6CA	6.0±0.3	3.5±0.3	1.2±0.2	1.5±0.2	1.2±0.2	6.2±0.2	3.7±0.2	1.8±0.2	1.4±0.2
TA7C TA7CA	7.0±0.3	5.0±0.3	1.2±0.2	1.5±0.2	1.2±0.2	8.0±0.2	3.9±0.2	2.2±0.2	1.4±0.2

## ► Recommended Land Pattern

### RECOMMENDED LAND PATTERN

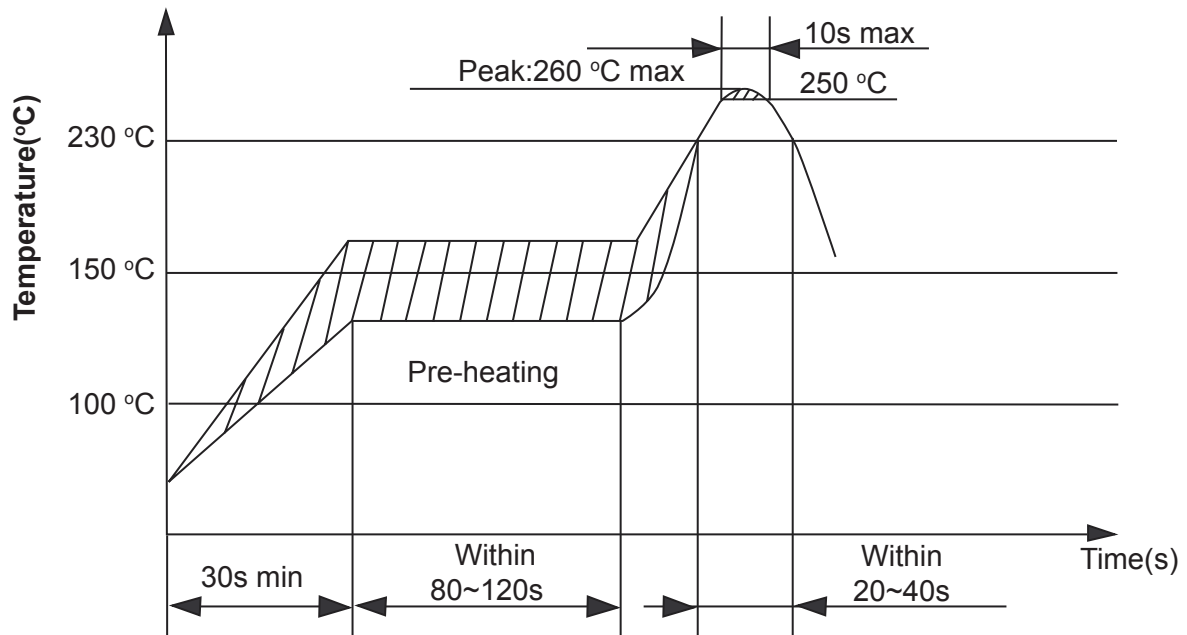


TA7C/6C/5C/4C

TA7CA/6CA/5CA/4CA

## ► Recommended Reflow Soldering Standard Conditions

### RECOMMENDED REFLOW SOLDERING STANDARD CONDITIONS



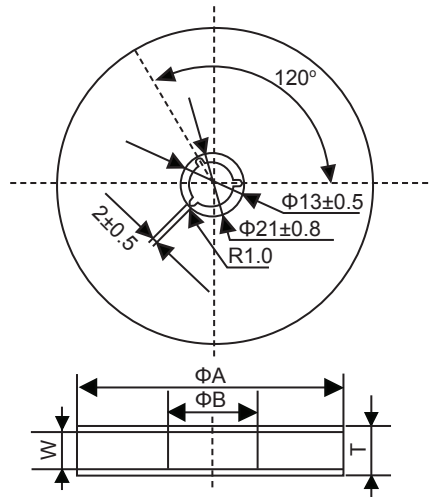


# Ceramic Crystal Resonators

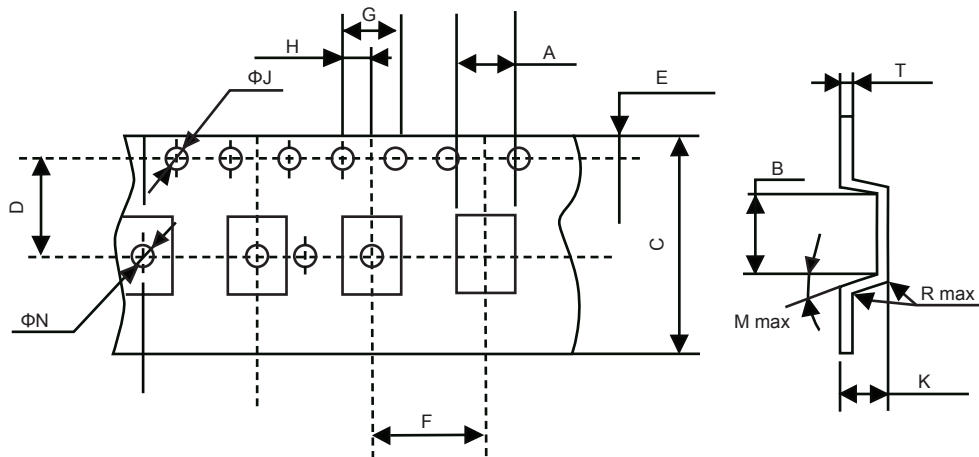
## ► Reel Dimensions (mm)

$\Phi A$	$\Phi B$	W	T	Pieces per reel	Carrier tape size
$179 \pm 2$	60typ	12.4min	19.4max	3000typ	12
$179 \pm 2$	60typ	16.4min	22.4max	1000typ	16
$330 \pm 3$	80min	12.4min	19.4max	4000typ	12
$330 \pm 3$	80min	16.4min	22.4max	4000typ	16
$179 \pm 2$	60typ	8.4min	12.4max	3000typ	8

Note:typ : (Typical Value)



## ► Carrier Tape Dimensions (mm)

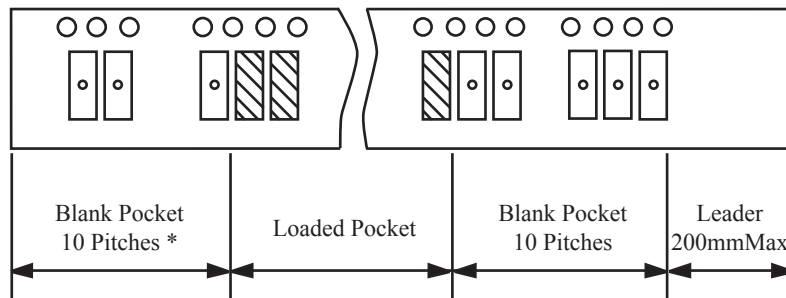


Part Number	Dimensions (unit: mm)													
	A	B	C	D	E	F	G	H	ΦJ	ΦN	Mmax	Rmax	K	T
TA4C TA4CA	$2.9 \pm 0.2$	$4.4 \pm 0.2$	$12.0 \pm 0.2$	$5.5 \pm 0.1$	$1.75 \pm 0.1$	$4.0 \pm 0.1$	$4.0 \pm 0.1$	$2.0 \pm 0.1$	$1.5 \pm 0.1$	$1.6 \pm 0.1$	$10^\circ$	0.3	$1.4 \pm 0.2$	$0.3 \pm 0.1$
TA5C TA5CA	$3.6 \pm 0.2$	$5.4 \pm 0.2$	$16.0 \pm 0.2$	$7.5 \pm 0.1$	$1.75 \pm 0.1$	$4.0 \pm 0.1$	$2.0 \pm 0.1$	$1.5 \pm 0.1$	$1.6 \pm 0.1$	$1.6 \pm 0.1$	$10^\circ$	0.3	$1.4 \pm 0.2$	$0.3 \pm 0.1$
TA6C TA6CA	$3.9 \pm 0.2$	$6.4 \pm 0.2$	$16.0 \pm 0.2$	$7.5 \pm 0.1$	$1.75 \pm 0.1$	$4.0 \pm 0.1$	$2.0 \pm 0.1$	$1.5 \pm 0.1$	$1.6 \pm 0.1$	$1.6 \pm 0.1$	$10^\circ$	0.3	$1.4 \pm 0.2$	$0.3 \pm 0.1$
TA7C TA7CA	$5.4 \pm 0.2$	$7.4 \pm 0.2$	$16.0 \pm 0.2$	$7.5 \pm 0.1$	$1.75 \pm 0.1$	$4.0 \pm 0.1$	$2.0 \pm 0.1$	$1.5 \pm 0.1$	$1.6 \pm 0.1$	$1.6 \pm 0.1$	$10^\circ$	0.3	$1.4 \pm 0.2$	$0.3 \pm 0.1$



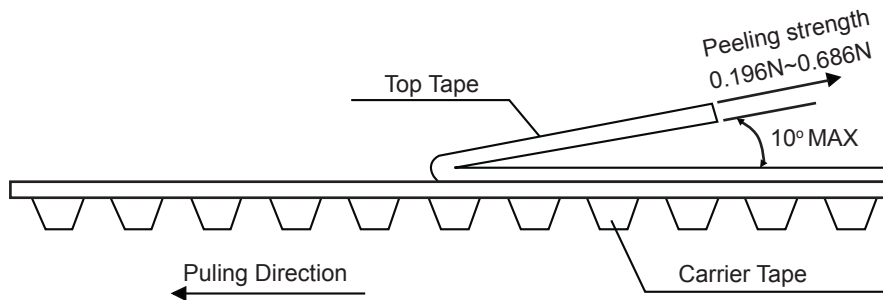
# Ceramic Crystal Resonators

## ► PACKING METHOD

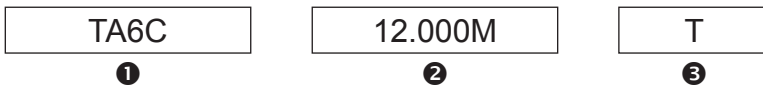


\* TA4C(A) Blank Pocket 20 Pitches

## ► TEST CONDITION OF PEELING STRENGTH



## ► How to Order



- ❶ Part Number
- ❷ Frequency (MHz)
- ❸ Packaging:

Code	Packaging
T	Taping Reel
P	Bulk