



RF Inductors

SMD Inductors Flat Top Air Core - AM Series / 空芯线圈电感

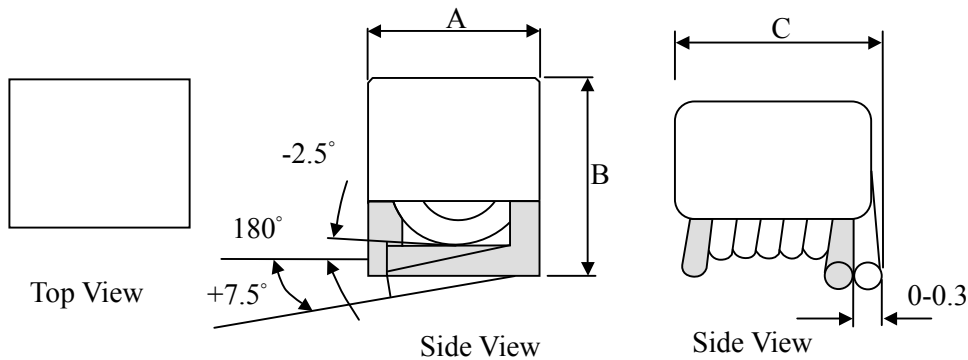
► Air Core Coil Inductor Features

- High frequency
- Excellent SRFs and high Q
- Good constitutive property and easy to operate

► Applications

- Pager, Cordless phone & High Freq. Communication Products
- Intercom, CATV

► Air Core Coil Inductor Dimensions & Configurations (Unit In mm)



Type	A(max)	B(max)	C ± 0.2
TCAM0603	1.80	2.00	2.00
TCAM0805	1.80	2.10	2.85
TCAM1008	1.90	2.20	3.20

► Electrical Characteristics for TCAM0603 Series - Air Core Coil Inductors

Part Number	Inductance (L)(nH)	Q (min)	Test Freq. (MHz)	SRF (MHz)(min)	DCR (mΩ)(max)	IDC (mA)(max)
TCAM0603 - 3N9K	3.9	80	300	>3000	3.0	950
TCAM0603 - 4N7K	4.7	80	300	>3000	3.6	900
TCAM0603 - 5N6K	5.6	80	300	>3000	3.8	950
TCAM0603 - 6N8K	6.8	80	300	>3000	4.5	900
TCAM0603 - 8N2K	8.2	80	300	>3000	5.3	840
TCAM0603 - 10NK	10.0	70	300	>3000	6.9	600
TCAM0603 - 12NK	12.0	70	300	>3000	8.3	600
TCAM0603 - 15NK	15.0	70	300	2500	11.5	500
TCAM0603 - 18NK	18.0	70	300	2500	12.8	500
TCAM0603 - 22NK	22.0	70	300	2400	11.3	550
TCAM0603 - 27NK	27.0	70	300	1600	17.0	500
TCAM0603 - 33NK	33.0	70	300	1600	26.9	320
TCAM0603 - 39NK	39.0	70	300	1500	30.7	320
TCAM0603 - 47NK	47.0	70	300	1500	34.5	320
TCAM0603 - 56NK	56.0	70	300	1300	38.4	320



► Electrical Characteristics for TCAM0805 Series - Air Core Coil Inductor

Part Number	Inductance (L)(nH)	Q (min)	Test Freq. (MHz)	SRF (MHz)(min)	DCR (mΩ)(max)	IDC (mA)(max)
TCAM0805 - 3N9K	3.9	80	300	>3000	2.6	1200
TCAM0805 - 4N7K	4.7	80	300	>3000	3.6	900
TCAM0805 - 5N6K	5.6	80	300	>3000	3.7	950
TCAM0805 - 6N8K	6.8	80	300	>3000	4.5	900
TCAM0805 - 8N2K	8.2	80	300	>3000	5.3	840
TCAM0805 - 10NK	10.0	70	300	>3000	5.4	900
TCAM0805 - 12NK	12.0	70	300	>3000	6.3	900
TCAM0805 - 15NK	15.0	70	300	2500	7.2	900
TCAM0805 - 18NK	18.0	70	300	2500	12.5	500
TCAM0805 - 22NK	22.0	70	300	2400	12.9	550
TCAM0805 - 27NK	27.0	70	300	1600	14.5	550
TCAM0805 - 33NK	33.0	70	300	1600	18.7	500
TCAM0805 - 39NK	39.0	70	300	1500	25.7	380
TCAM0805 - 47NK	47.0	70	300	1500	34.5	320
TCAM0805 - 56NK	56.0	70	300	1300	38.4	320
TCAM0805 - 68NK	68.0	70	300	1300	42.2	320

► Electrical Characteristics for TCAM1008 Series - Air Core Coil Inductor

Part Number	Inductance (L)(nH)	Q (min)	Test Freq. (MHz)	SRF (MHz)(min)	DCR (mΩ)(max)	IDC (mA)(max)
TCAM1008 - 6N8K	6.8	80	300	>3000	4.0	1200
TCAM1008 - 8N2K	8.2	80	300	>3000	5.0	950
TCAM1008 - 10NK	10.0	70	300	>3000	6.0	950
TCAM1008 - 12NK	12.0	70	300	>3000	6.5	900
TCAM1008 - 15NK	15.0	70	300	2500	7.3	900
TCAM1008 - 18NK	18.0	70	300	2500	9.6	840
TCAM1008 - 22NK	22.0	70	300	2400	10.8	840
TCAM1008 - 27NK	27.0	70	300	1600	13.9	600
TCAM1008 - 33NK	33.0	70	300	1600	19.5	500
TCAM1008 - 39NK	39.0	70	300	1500	21.6	500
TCAM1008 - 47NK	47.0	70	300	1500	25.2	470
TCAM1008 - 56NK	56.0	70	300	1300	27.5	470
TCAM1008 - 68NK	68.0	70	300	1300	37.1	380
TCAM1008 - 82NK	82.0	70	300	1000	51.5	320
TCAM1008 - R10K	100.0	70	300	1000	55.5	320
TCAM1008 - R12K	120.0	70	300	950	63.4	320



RF Inductors

► How to Order

1 TCAM **2** 1008 - **3** 6N8 **4** K

① SMD Flat Top Air Core Inductors

② Size

Code	Size
0603	TCAM0603
0805	TCAM0805
1008	TCAM1008

③ Inductance

Code	Inductance
6N8	6.8nH
10N	10.0nH
R10	100.00nH

④ Tolerance

Code	Tolerance
K	10%
M	20%



RF Inductors

SMD Flat Top Air Core Inductors - AM Series / 空心线圈电感

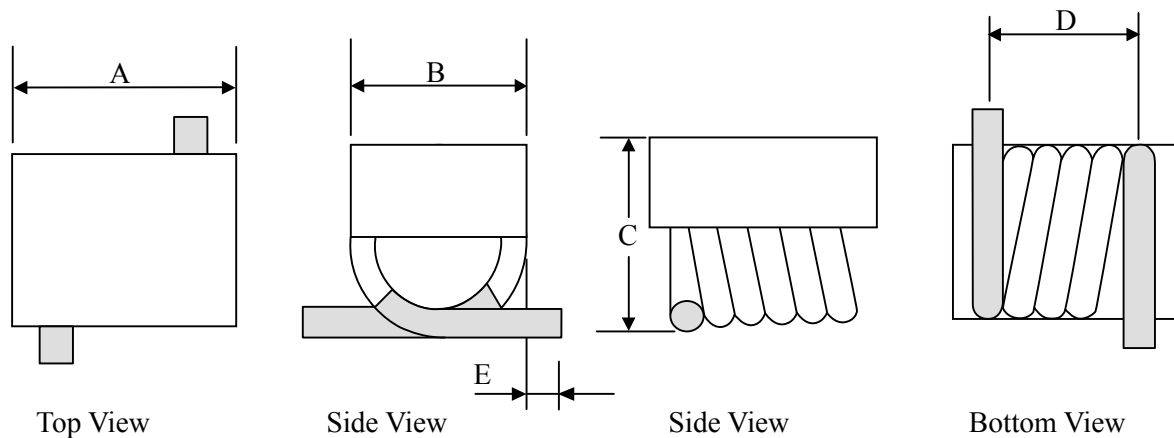
► Air Core Inductor Features

- High frequency
- Excellent SRFs and high Q
- Good constitutive property and easy to operate

► Applications

- Pager, Cordless phone & High Freq. Communication Products
- Intercom, CATV

► Air Core Inductor Dimensions & Configurations (Unit In mm)



Type	A	B	C	D	E
TCAM2215	2.2 ± 0.3	1.4 ± 0.2	1.4 ± 0.2	1.8 ± 0.3	0.9 ± 0.3
TCAM4015	4.0 ± 0.3	1.4 ± 0.2	1.4 ± 0.2	3.5 ± 0.3	0.9 ± 0.3
TCAM132	9.0(max)	4.4 ± 0.3	4.6 ± 0.4	8.0 ± 0.5	1.3 ± 0.4

► Electrical Characteristics for TCAM2215 Series Air Core Inductors

Part Number	Turns	Inductance(L)(nH)	Q(min)	Test Freq.(MHz)	SRF(GHz)(min)
TCAM2215 - 02	2	1.65 ± 10%	100	800	>3.0
TCAM2215 - 03	3	2.55 ± 10%	100	800	>3.0
TCAM2215 - 04	4	3.85 ± 10%	100	800	>3.0
TCAM2215 - 05	5	5.45 ± 5%	100	800	>3.0

► Electrical Characteristics for TCAM4015 Series Air Core Inductors

Part Number	Turns	Inductance(L)(nH)	Q(min)	Test Freq.(MHz)	SRF(GHz)(min)
TCAM4015 - 06	6	5.60 ± 5%	100	800	>3.0
TCAM4015 - 07	7	7.15 ± 5%	100	800	>3.0
TCAM4015 - 08	8	8.80 ± 5%	100	800	>3.0
TCAM4015 - 09	9	9.85 ± 5%	100	800	>3.0
TCAM4015 - 10	10	12.55 ± 5%	100	800	>3.0



RF Inductors

► Electrical Characteristics for TCAM132 Series Series Air Core Inductors

Part Number	Turns	Inductance(L)(nH)	Q(min)	Test Freq.(MHz)	SRF(GHz)(min)
TCAM132 - 09	9	90 ± 5%	100	50	>1.0
TCAM132 - 10	10	111 ± 5%	100	50	>1.0
TCAM132 - 11	11	130 ± 5%	100	50	>0.9
TCAM132 - 12	12	169 ± 5%	100	50	>0.8
TCAM132 - 13	13	206 ± 5%	100	50	>0.7
TCAM132 - 14	14	222 ± 5%	100	50	>0.6
TCAM132 - 15	15	246 ± 5%	100	50	>0.6
TCAM132 - 16	16	307 ± 5%	100	50	>0.5
TCAM132 - 17	17	380 ± 5%	100	50	>0.5
TCAM132 - 18	18	422 ± 5%	100	50	>0.4
TCAM132 - 19	19	491 ± 5%	100	50	>0.4
TCAM132 - 20	20	538 ± 5%	100	50	>0.4

► How to Order

TCAM
2215
-
02

❶
❷
❸

❶ SMD Flat Top Air Core Inductors

❷ Size

Code	Size
2215	TCAM2215
4015	TCAM4015
132	TCAM132

❸ Turns





RF Inductors

SMD Flat Top Air Core Inductors - AM Series / 贴片空芯线圈电感

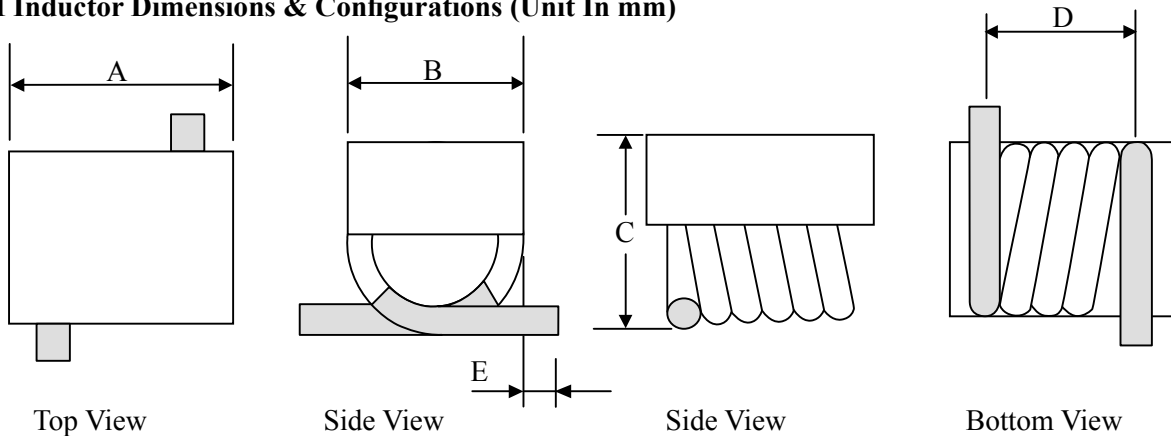
AM Inductor Features

- High frequency
- Excellent SRFs and high Q
- Good constitutive property and easy to operate

Applications

- Pager, Cordless phone & High Freq. Communication Products
- Intercom, CATV

AM Inductor Dimensions & Configurations (Unit In mm)



Type	A ± 0.3	B ± 0.2	C ± 0.2	D ± 0.3	E ± 0.2
TCAM3730	3.30	2.60	2.70	2.90	0.70
TCAM7030	6.30	3.60	3.70	5.80	0.70

Electrical Characteristics for TCAM3730 Series Inductors

Part Number	Turns	Inductance(L)(nH)	Q(min)	Test Freq.(MHz)	SRF(GHz)(min)
TCAM3730 - A01T	1	2.5 ± 10%	145	150	>3.0
TCAM3730 - A02T	2	5.0 ± 10%	140	150	>3.0
TCAM3730 - A03T	3	8.0 ± 10%	140	150	>3.0
TCAM3730 - A04T	4	12.5 ± 5%	137	150	>3.0
TCAM3730 - A05T	5	18.5 ± 5%	132	150	>2.5

Electrical Characteristics for TCAM7030 Series Inductors

Part Number	Turns	Inductance(L)(nH)	Q(min)	Test Freq.(MHz)	SRF(GHz)(min)
TCAM7030 - B06T	6	17.5 ± 5%	100	150	>2.2
TCAM7030 - B07T	7	22.0 ± 5%	100	150	>2.0
TCAM7030 - B08T	8	28.0 ± 5%	100	150	>1.8
TCAM7030 - B09T	9	35.5 ± 5%	100	150	>1.2
TCAM7030 - B10T	10	43.5 ± 5%	100	150	>1.0

How to Order

TCAM
3730
-
A01T

①

②

③

① SMD Flat Top Air Core Inductors

③ Turns

② Size

Code	Size
3730	TCAM3730
7030	TCAM7030



RF Inductors

SMD Inductors Flat Top Air Core - AM Series

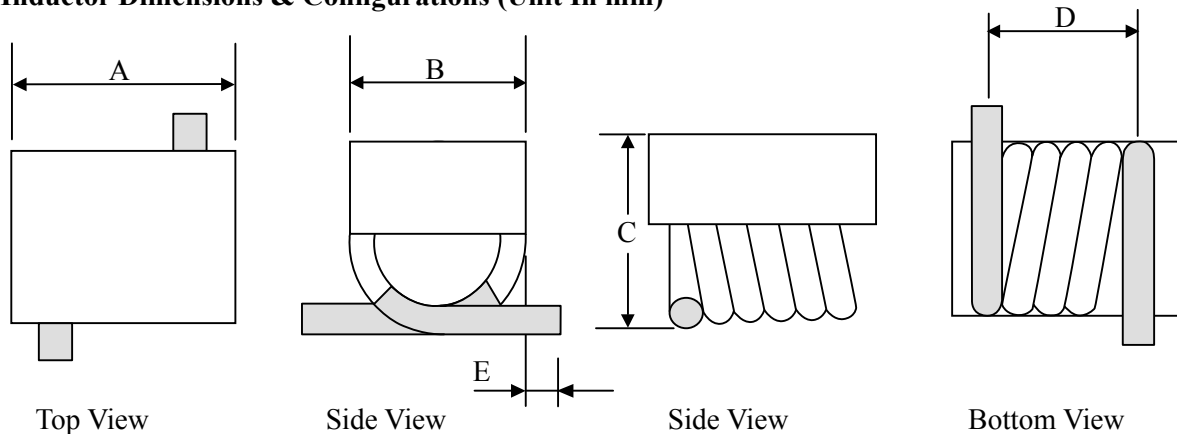
AM Inductor Features

- High frequency
- Excellent SRFs and high Q
- The good constitutive property and easy to operate

Applications

- Pager, Cordless phone & High Freq. Communication Products
- Intercom, CATV

AM Inductor Dimensions & Configurations (Unit In mm)

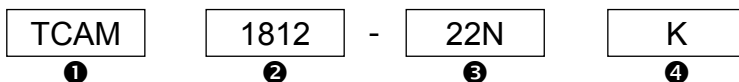


Type	A ± 0.3	B ± 0.2	C ± 0.2	D ± 0.4	E ± 0.3
TCAM1812	4.90	3.50	3.50	4.30	1.00

Electrical Characteristics for TCAM1812 Series Inductors

Part Number	Inductance(L)(nH)	Q(min)	Test Freq.(MHz)	SRF(GHz)(min)
TCAM1812 - 22NK	22	100	150	3.20
TCAM1812 - 27NK	27	100	150	2.70
TCAM1812 - 33NK	33	100	150	2.50
TCAM1812 - 39NJ	39	100	150	2.10
TCAM1812 - 47NJ	47	100	150	2.10
TCAM1812 - 56NJ	56	100	150	1.50
TCAM1812 - 68NJ	68	100	150	1.50
TCAM1812 - 82NJ	82	100	150	1.30
TCAM1812 - R10J	100	100	150	1.20
TCAM1812 - R12J	120	100	150	1.10

How to Order



① SMD Inductors Flat Top Air Core

③ Inductance

Code	Inductance
22N	22nH
R10	100.00nH

② Size

Code	Size
1812	TCAM1812

④ Tolerance

Code	Tolerance
J	5%
K	10%